

Muto Premium XL150/80

Muto Comfort L80

Ceiling mount with Dormotion (Wood door)

Installation instructions

936006 – 05-2018

| EN |

dormakaba 

Table of contents

1	Technical specifications	3
1.1	Overview	3
	1.1.1 General information	3
	1.1.2 Intended use	3
	1.1.3 Door requirements and fittings	3
	1.1.4 Safety instructions	3
	1.1.5 Symbols used - Safety/Installation	3
	1.1.6 Maintenance, care, repair	3
	1.1.7 Disposal	3
1.2	Specifications - technical data	3
2	Installation instructions	4
2.1	Overall	4
2.2	Securing wood door adaptor	5
2.3	Securing track to mounting surface	6
2.4	Door/wall dimensions	7
2.5	Installing roller carriers	8
2.6	XL150/80 (ONLY): Install DORMOTION unit	9
2.7	L80 (ONLY): Install DORMOTION start/stop	9
2.8	Disengaging the anti-jump	10
2.9	Installing the end stops	10
2.10	Install door/rollers in track	10
2.11	Install floor guide	11
2.12	Engaging anti-jump	11
2.13	Adjustment door height	12
2.14	Adjustment end stop location: LEADING end stop	13
	Adjustment end stop location: TRAILING end stop	13
2.15	L80 (ONLY): Install DORMOTION Unit	14
2.16	L80 (ONLY): Adjust start/stop pin location for L80 DM unit	15
2.17	XL150/80 (ONLY): Install DORMOTION start/stops	16
2.18	Cover clips	17
2.19	Install brush profile	17
2.20	Install view protection clips	18
2.21	Install cover and view protection profile	19
2.22	Install end caps	19

1 Technical specifications

1.1 Overview

These instructions are for installation of MUTO PREMIUM and COMFORT sliding door system XL150/80 / L80 for wood doors for the following mounting and style versions:

1. Ceiling mount

1.1.1 General information

- dormakaba glass hardware is not suitable for application in rooms where chemicals (e.g. chlorine) are used as indoor swimming pools, saunas or salt-water pools.
- Never move sliding panels faster than walking speed and always stop the door manually before it reaches end position.
- Do not slide doors with excessive force. Install limiting stop to prevent door from opening too far.

1.1.2 Intended use

- For sliding door in dry indoor areas only
- For manual slowly opening and closing only

1.1.3 Door requirements and fittings

- The substructure/wall must be able to bear permanent loads and be level (max. tolerance: 1/16" [2] per 39" [1m]).
- Fasteners must be sufficiently dimensioned for the substructure/wall and weight of the door.
- When adjusting door components, always stick to the required clearance for the respective hardware.

1.1.4 Safety instructions

- Installation requires two people.
- Only properly qualified and specially trained staff are authorized to mount dormakaba glass hardware.

1.1.5 Symbols used - Safety/Installation



CAUTION

Mounting components must meet the requirements of substructure/wall and door weight. Please read the technical information for fittings.



WARNING



TIPS AND RECOMMENDATIONS

Information note



CLOSING EDGE

1.1.6 Maintenance, care, repair

- Immediately replace damaged parts.
- Always use original dormakaba parts.
- Clean clamping area with alcohol-based standard commercial cleaning agent before mounting the glass hardware.
- Use a damp clothe for occasional cleaning, especially the track.
- Always use silicone - and oil-free cleaners (e.g. acetone).
- Check door hardware at regular intervals for proper positioning and smooth operation and correct adjustment.
- High traffic door systems require inspection by properly qualified staff (specialized companies or installation firms.)

1.1.7 Disposal

Disposal in accordance with local, state and national regulations.

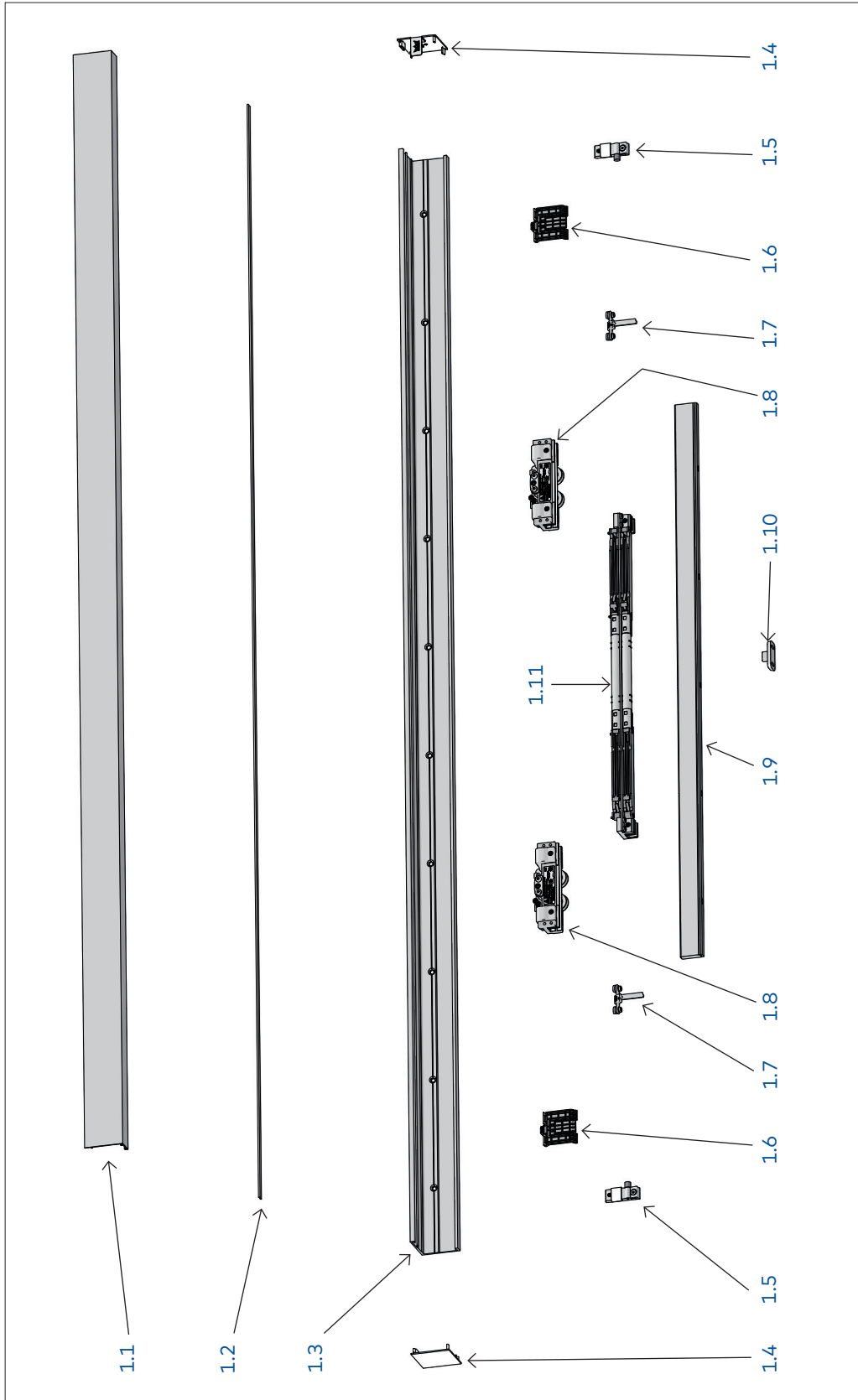
1.2 Specifications - technical data

		Single Door			Double Door		
		XL150	XL80	L80	XL150	XL80	L80
Ceiling mount	Door leaf weight lbs [kg] *	≤330lbs [≤150]	≤176lbs [≤80]	≤176lbs [≤80]	≤330lbs [≤150]	2 x ≤176lbs [2 x ≤80]	2 x ≤176lbs [2 x ≤80]

* Including weight of auxiliary hardware.

2 Installation instructions

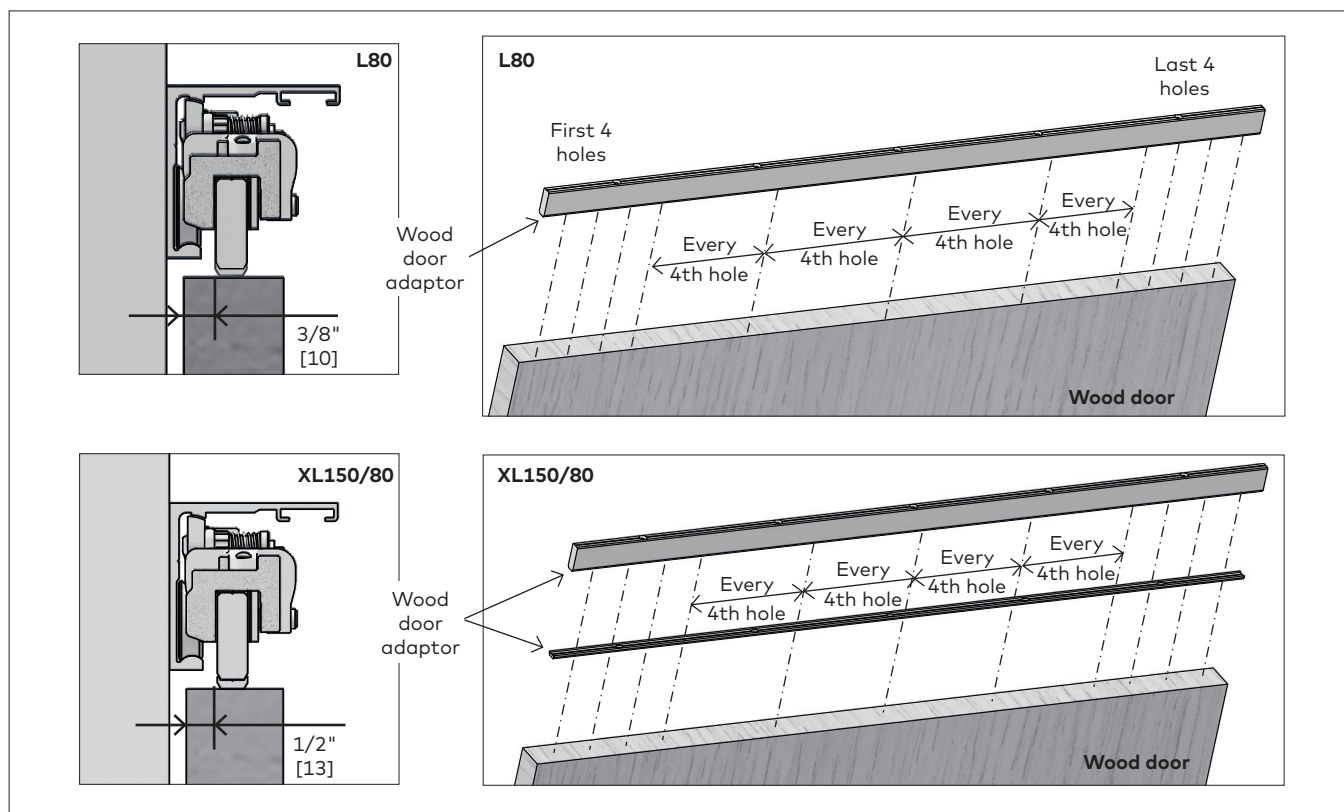
2.1 Overall



- 1.1 Cover panel
- 1.2 Brush strip
- 1.3 Track
- 1.4 End cap
- 1.5 End stop
- 1.6 Cover clips
- 1.7 Start/stop guides
- 1.8 Roller carrier
- 1.9 Wood door adaptor
- 1.10 Floor guide
- 1.11 Dormotion unit

2.2 Securing wood door adaptor

Fig. 1



NOTE: Top of door must be reinforced to secure wood door adapter.

2.2.1 Prepare door properly for wood door adaptor.

NOTE: Seal top and bottom of door to minimize warping (use wood door manufacturer's recommendations).

2.2.2 Cut wood door adapter to be equal width of door.

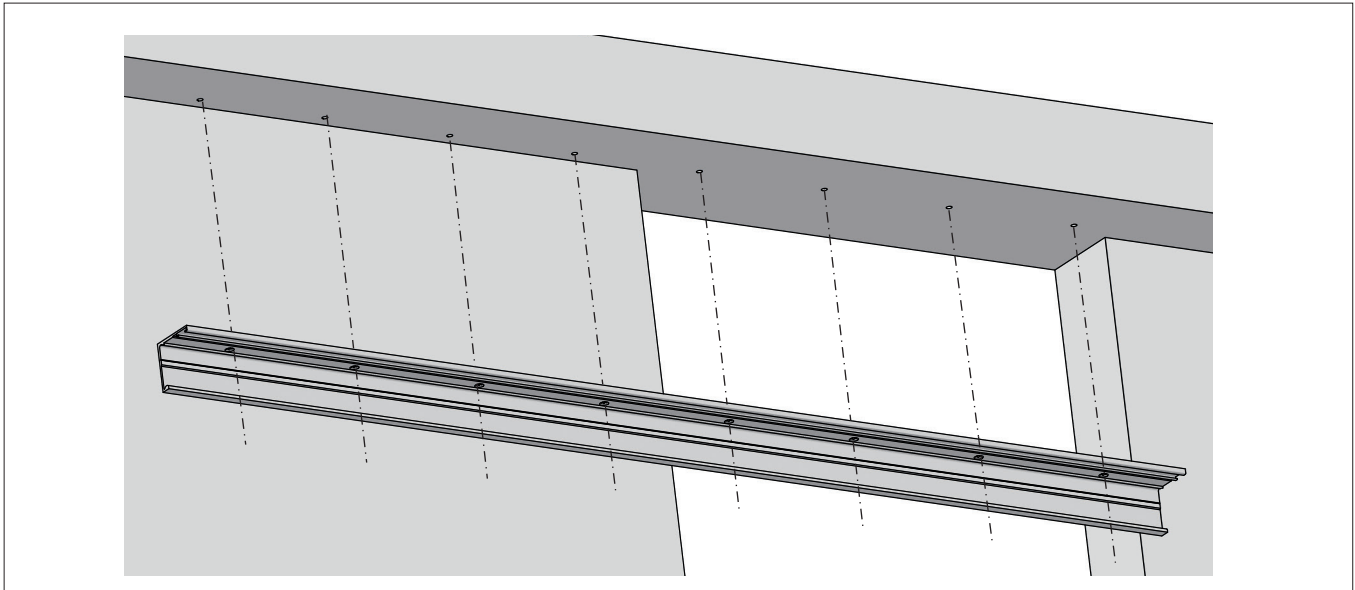
2.2.3 **XL150/80 and L80:**

2.2.4 Secure the two wood door adaptor pieces to top of wood door with #10 x 3" wood screws.

NOTE: Be sure screws are always secured in the first four and last four holes of the adaptor, along with every fourth hole in between.

2.3 Securing track to mounting surface

Fig. 2



2.3.1 Ensure the track is properly level and secure it to the ceiling per the appropriate measurements on the following page.

- **NOTE: SEE DIMENSION INSTRUCTIONS ON NEXT PAGE FOR REFERENCE.**

NOTE:

OVERHEAD REINFORCEMENT:

The overhead reinforcement must be a minimum of 1/4" [6] x 3" [76] steel angle, 16 gauge metal stud, or two pieces of 1 1/2" [38] thick wood blocking (double stacked), secured to studs or joists on a maximum 16" [406] centers for the length of the track. The overhead reinforcement may be flush on the overhead surface or on the interior of this surface.

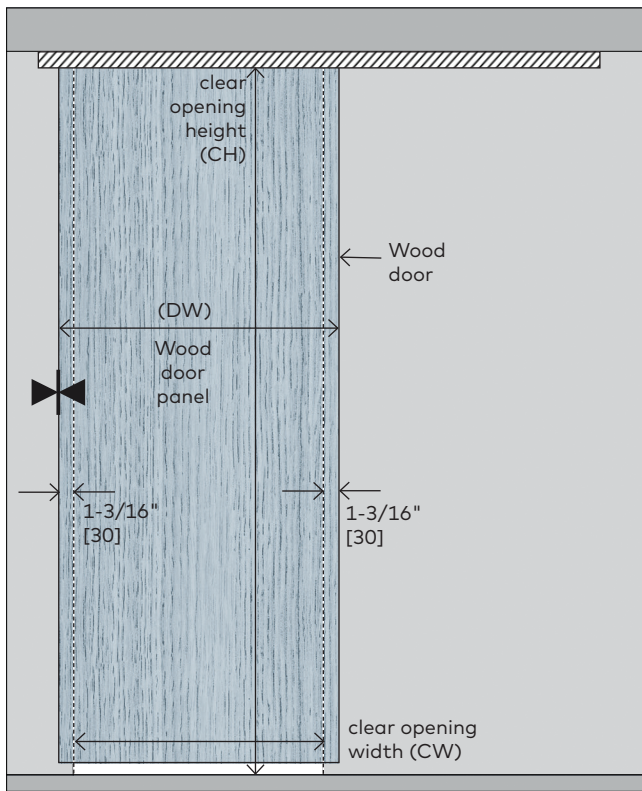
2.3.2 Use appropriate fasteners according to the following recommendations.

Track mounting screws must fully penetrate the steel angle, metal stud, or at a minimum of 2" [51] into wood blocking, utilizing the predrilled holes in the MUTO track.

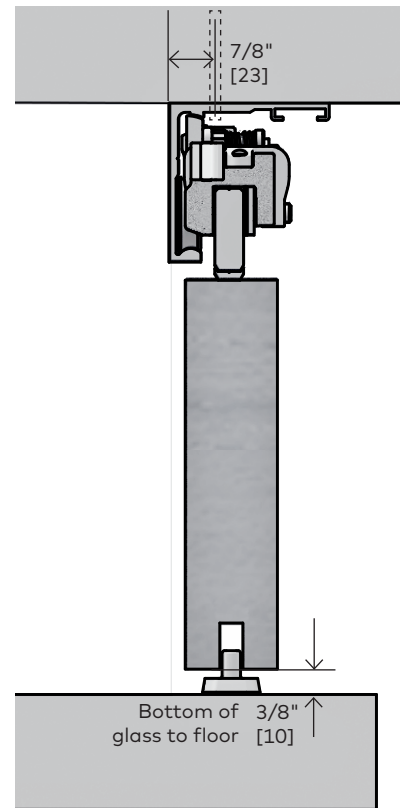
Consult with a structural engineer to determine if reinforcement is adequate for your specific application or to meet specific codes in your location.

2.4 Door/wall dimensions

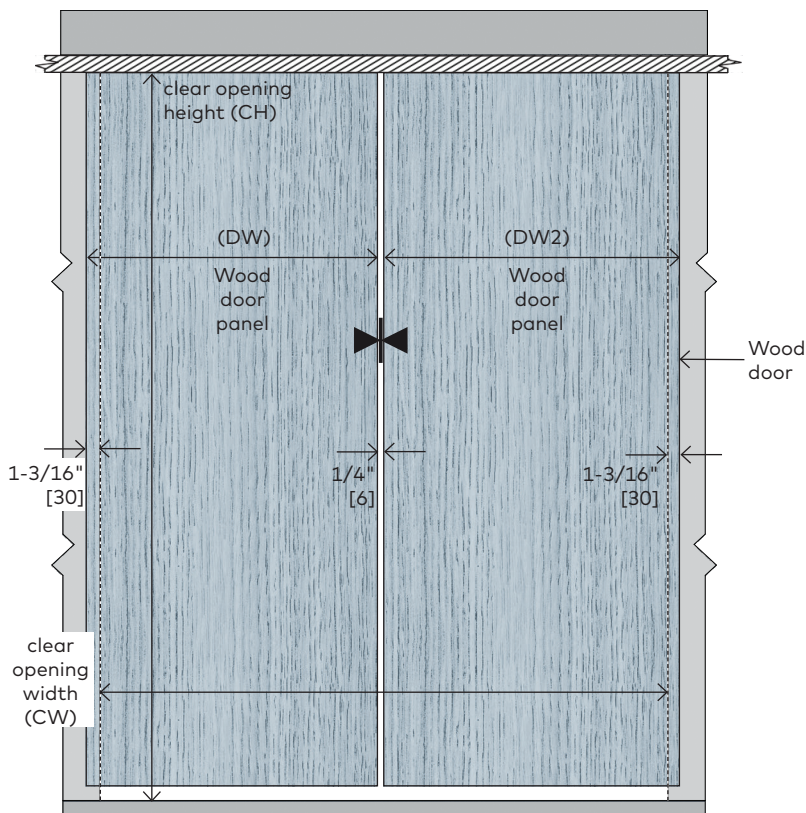
Single door mount



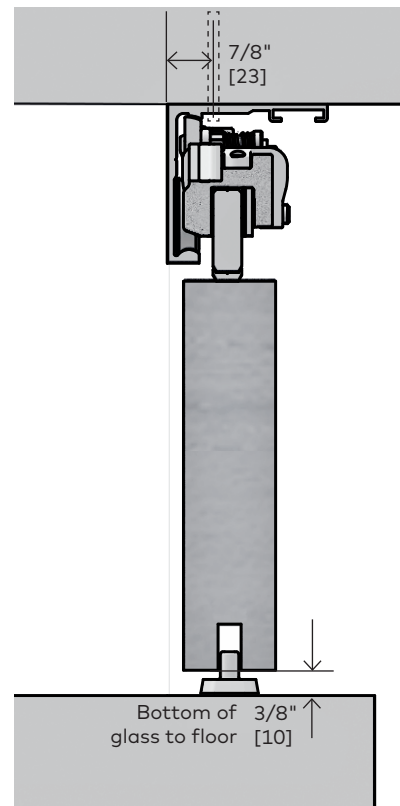
Back of track to center of mounting hole in track



Double door mount




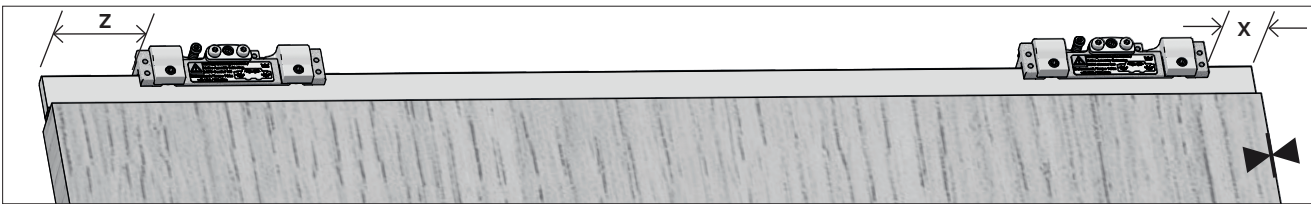
Back of track to center of mounting hole in track



2.5 Installing roller carriers


Fig. 3

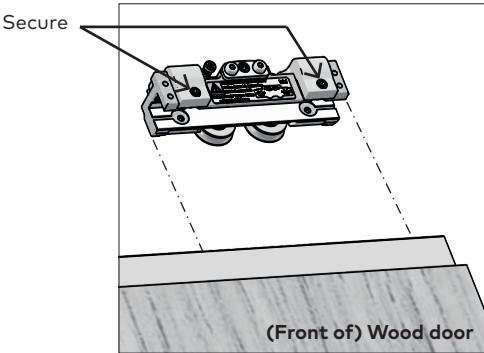

DETERMINE THE LEADING (X) VERSUS TRAILING (Z) EDGE OF THE GLASS.
"LEADING IS SIDE CLOSEST TO LATCH CLOSED."



Roller location on wood door with DORMOTION unit			
		XL150/80	L80
Single door	X	3-1/8" [80]	3-1/8" [80]
	Z	1-9/16" [40]	1-9/16" [40]
Double door	X	1-9/16" [40]	1-9/16" [40]
	Z	2-3/8" [60]	2-3/8" [60]

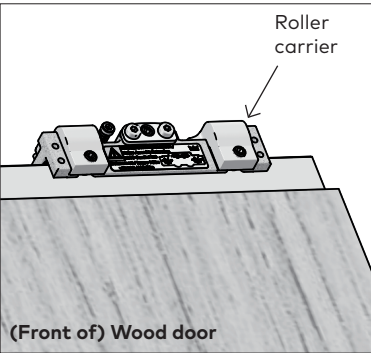
Legend

 Closing edge of door



Secure

(Front of) Wood door



Roller carrier

(Front of) Wood door

Torque values

XL150/80	10ft lbs
L80	[14Nm]

Hex key size

XL150/80	4mm
L80	2.5mm

 **NOTE: FULLY CLEAN SURFACE OF ADAPTOR WITH AN ALCOHOL-BASED MILD GLASS AND SURFACE CLEANER.**

 **ENSURE GASKET IS FREE OF DEBRIS.**

 **ENSURE ROLLER CARRIER WHEELS ARE FREE OF DEBRIS.**

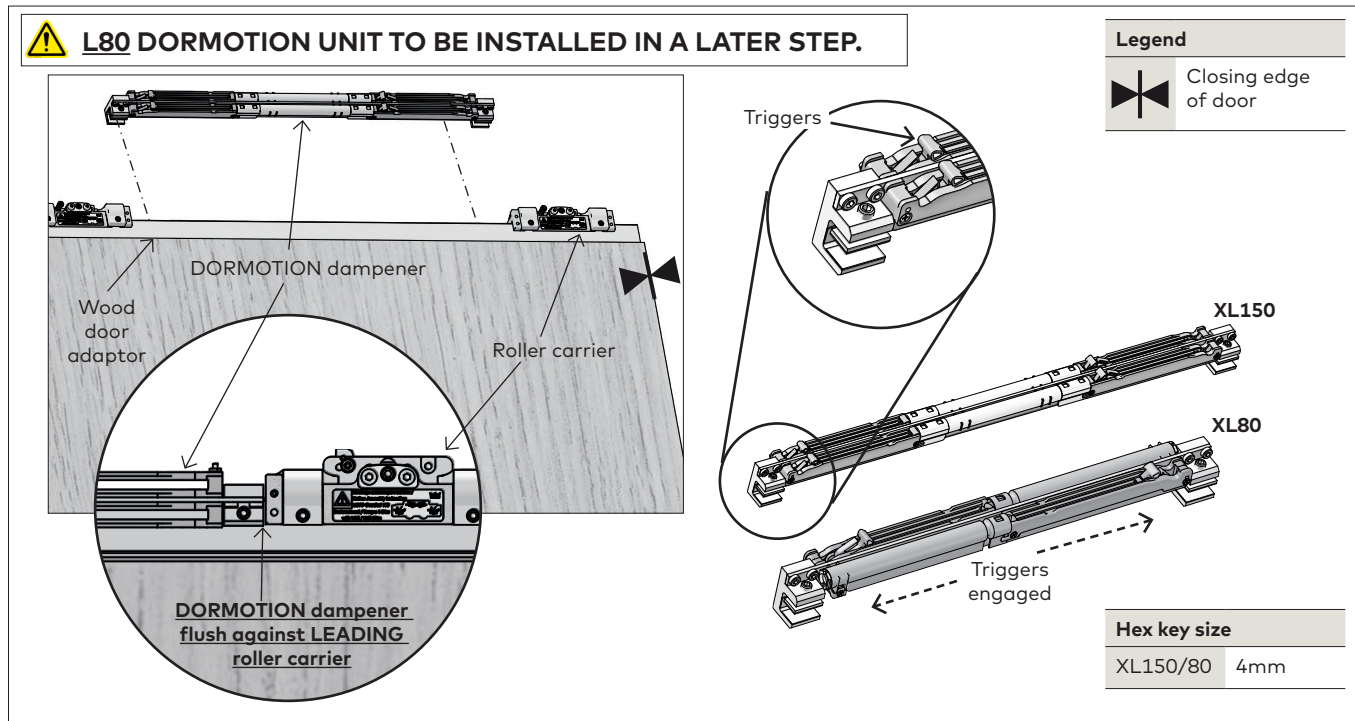
- 2.5.1 Slide roller carriers onto wood door adaptor.
- 2.5.2 Slide gasket and metal shim between adaptor and roller carrier.

NOTE: Orient with gasket facing the adaptor.

- 2.5.3 Secure roller carriers to wood door adaptor using appropriate-size hex key at 10ft lbs (14 Nm).

2.6 XL150/80 (ONLY): Install DORMOTION unit

Fig. 4



XL150/80 (ONLY):

2.6.1 Slide DORMOTION dampener onto door.

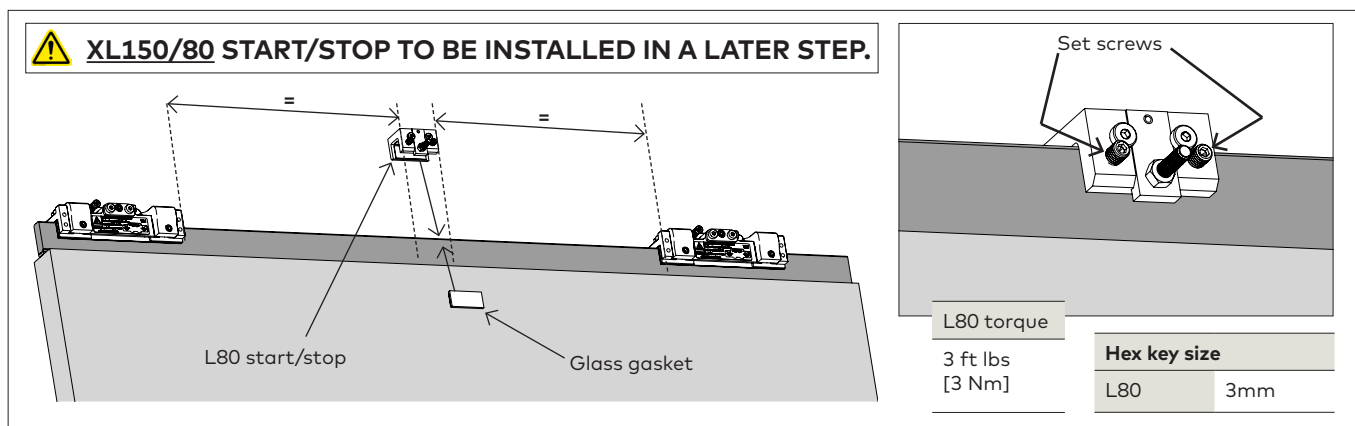
- **NOTE: Oriented with triggers facing outward.**

2.6.2 Dampener must be flush against leading roller carrier.

- **NOTE: Leading carrier is on side of door closest to latch.**
- 2.6.3 Secure dampener to adaptor using appropriate-size hex key.
- 2.6.4 **Engage triggers:** push out towards end of DORMOTION unit.

2.7 L80 (ONLY): Install DORMOTION start/stop

Fig. 5



2.7.1 Slide L80 start/stop onto door adaptor.

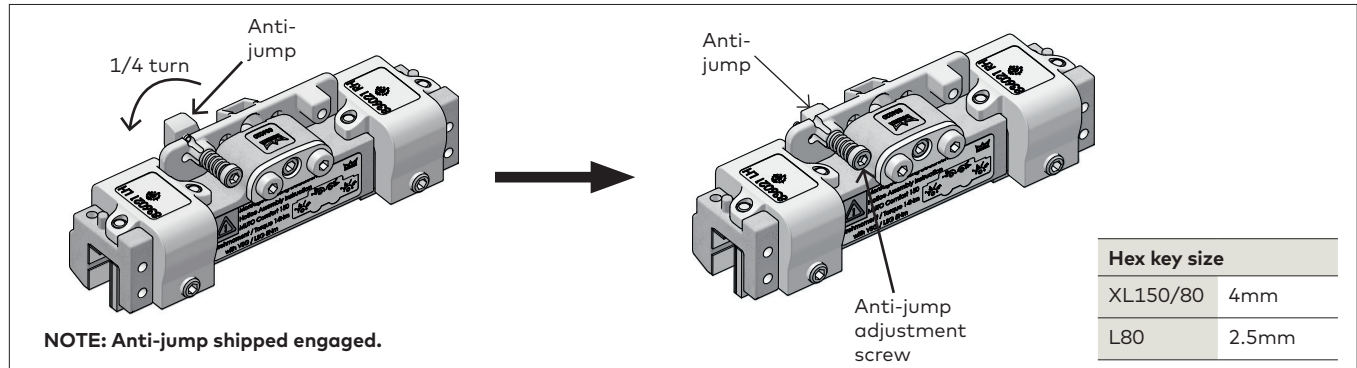
2.7.2 Center between the carriers.

2.7.3 Slide gasket between start/stop and adaptor.

2.7.4 Secure start/stop via set screws.

2.8 Disengaging the anti-jump

Fig. 6

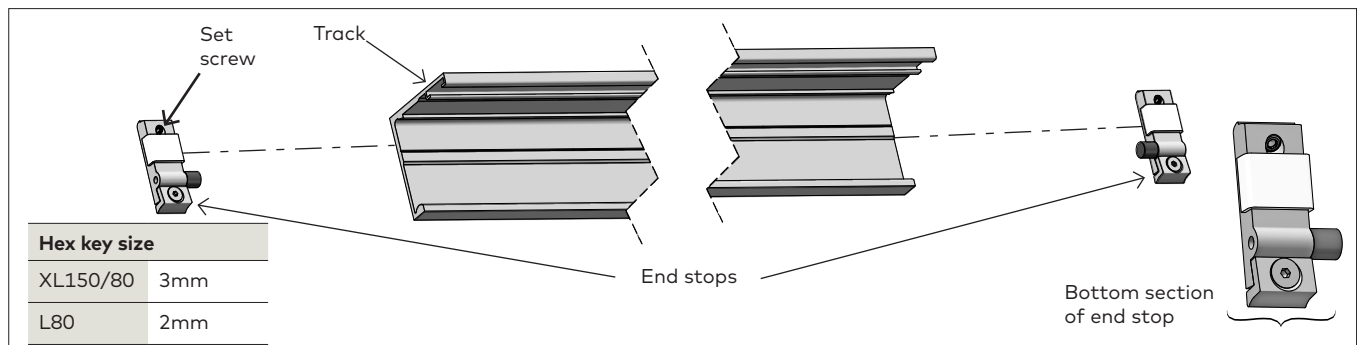


2.8.1 Disengage the anti-jump on roller carrier.

NOTE: Using the appropriate-size hex key, push anti-jump adjustment screw IN and turn **COUNTER-CLOCKWISE** 90° to **disengage** anti-jump.

2.9 Installing the end stops

Fig. 7



2.9.1 Slide end stops into each end of the track.

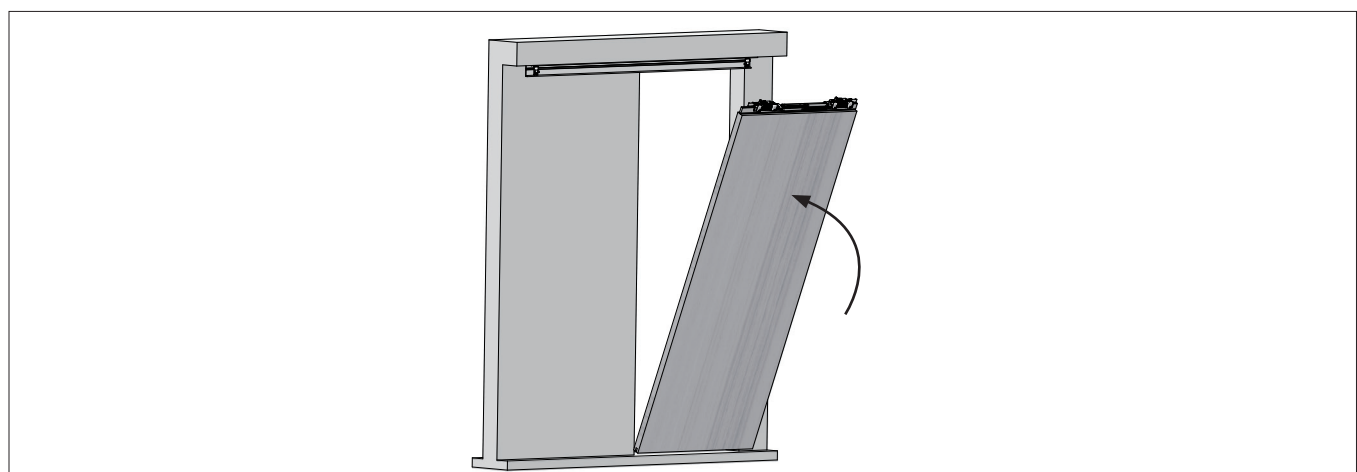
NOTE: Loosen bottom section of end stop for easier install.

NOTE: FOR XL150 end stops, be sure set screw is flush with back of end stops.

NOTE: Exact location/adjustments will be determined in "Adjustment End Stop Location" step.

2.10 Install door/rollers in track

Fig. 8

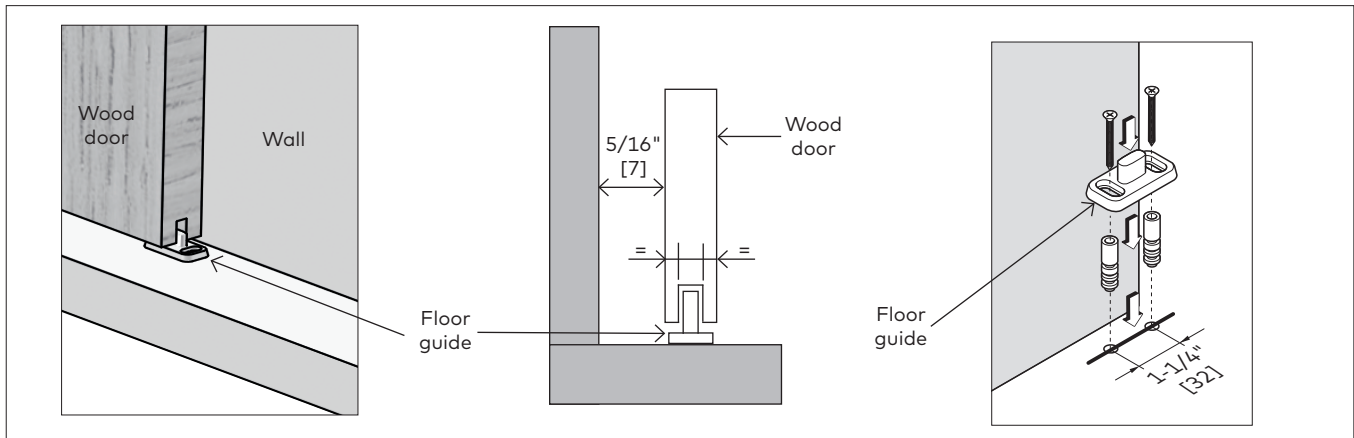


⚠ ENSURE ROLLERS AND TRACK ARE FREE OF DEBRIS.

2.10.1 Tip wood door and rollers upward and rest rollers on track.

2.11 Install floor guide

Fig. 9



ANTI-JUMP IS DISENGAGED!

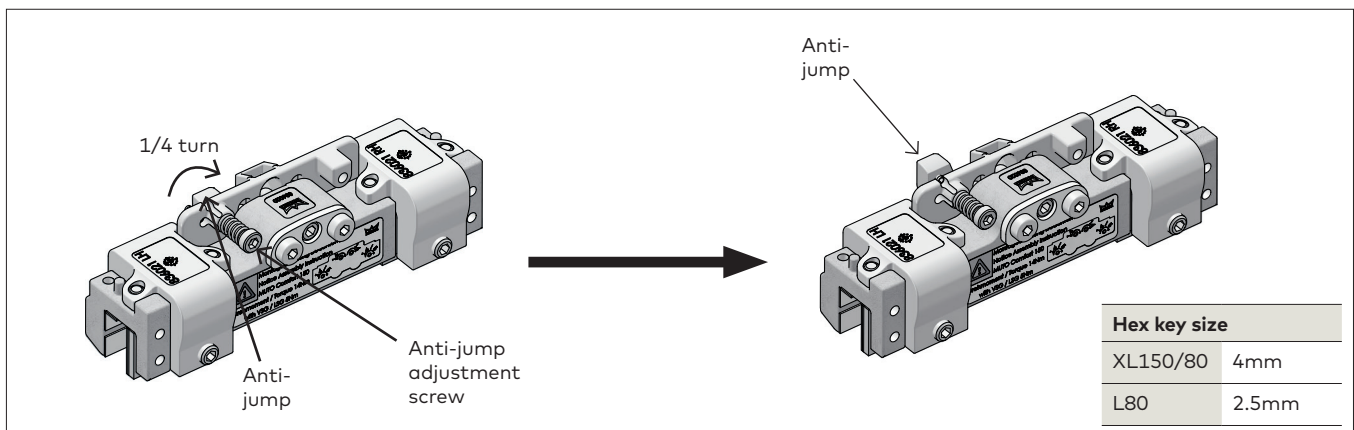
- 2.11.1 Temporarily slide floor guide into bottom groove of wood door.
- 2.11.2 Be sure door is plumb.
- 2.11.3 Mark appropriate floor guide measurements.

2.11.4 TEMPORARILY REMOVE WOOD DOOR AND ROLLERS FROM TRACK.

- 2.11.5 Pre-drill into mounting surface using a 5/16" drill bit.
- 2.11.6 Secure floor guide with included fasteners.
- 2.11.7 **SET WOOD DOOR AND ROLLERS BACK ONTO TRACK.**

2.12 Engaging anti-jump

Fig. 10

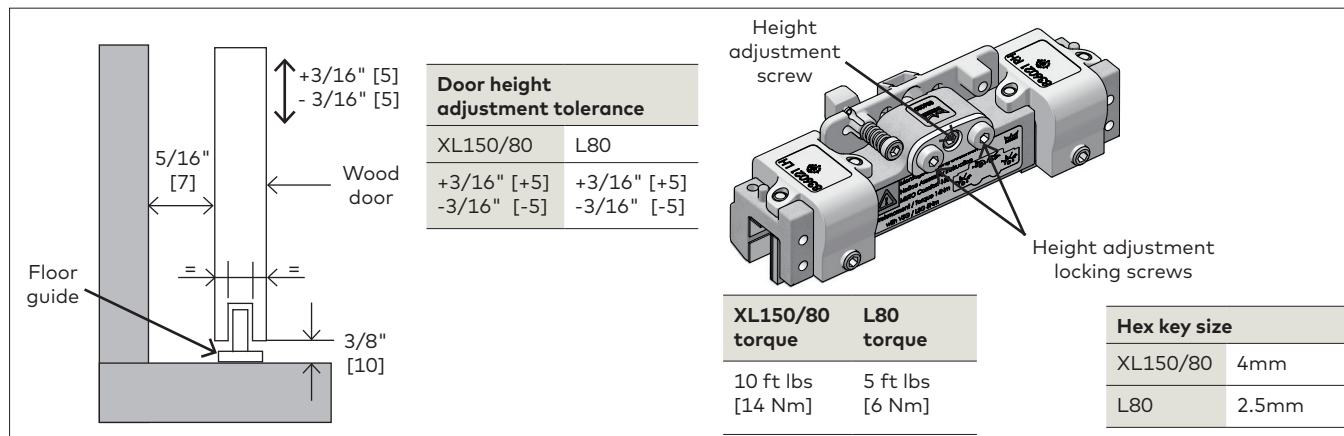


- 2.12.1 Engage anti-jump on roller carrier.

- 2.12.2 Using appropriate-size hex key, push anti-jump adjustment screw IN and turn **CLOCKWISE 90°** to **engage** anti-jump.

2.13 Adjustment door height

Fig. 11



2.13.1 Set height of glass door.

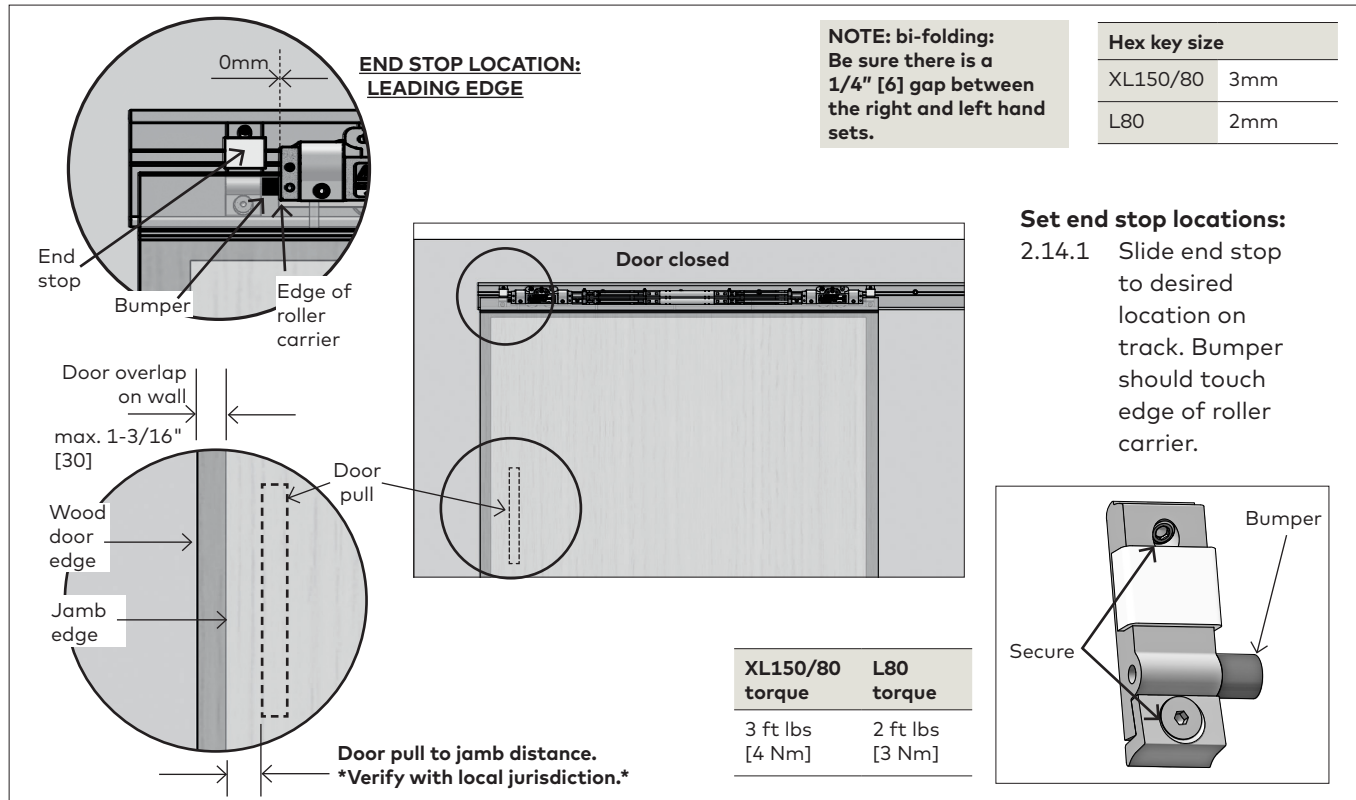
2.13.2 Loosen height adjustment locking screws of carrier.

2.13.3 Using appropriate-size hex key, turn height adjustment screw **CLOCKWISE** or **COUNTER-CLOCKWISE** to raise or lower door.

NOTE: Be sure wood door is level during this adjustment.

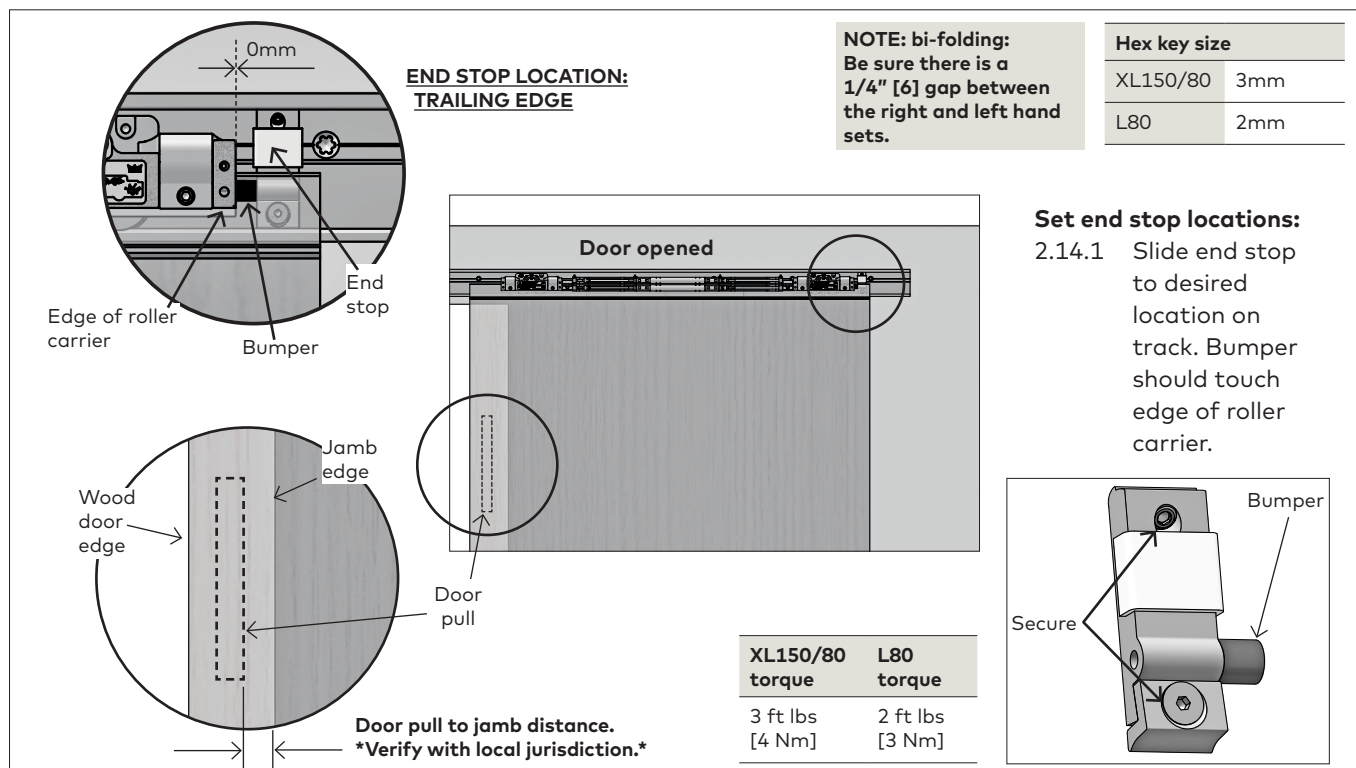
2.14 Adjustment end stop location: LEADING end stop

Fig. 12



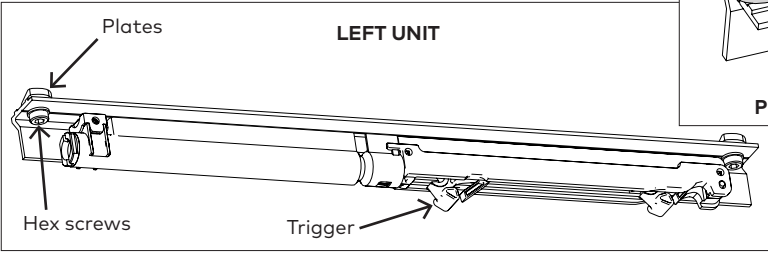
Adjustment end stop location: TRAILING end stop

Fig. 13



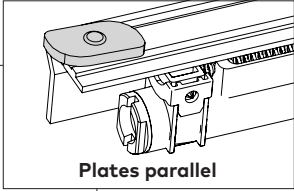
2.15 L80 (ONLY): Install DORMOTION Unit

Fig. 14



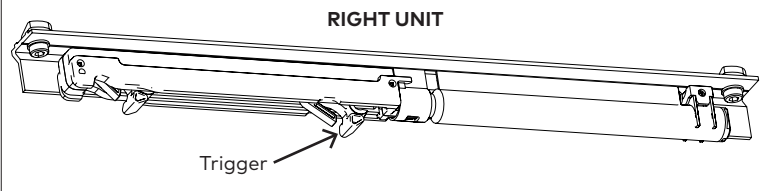
LEFT UNIT

Plates
Hex screws
Trigger



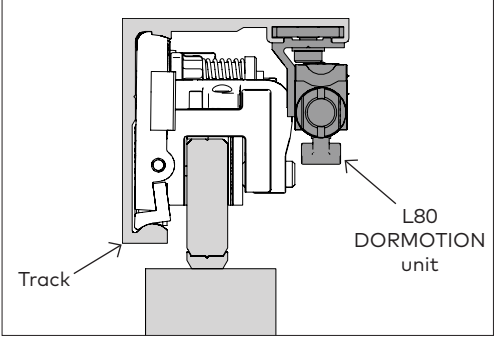
Plates parallel

Legend	
	Closing edge of door
Hex key size	
L80	2.5mm



RIGHT UNIT

Trigger



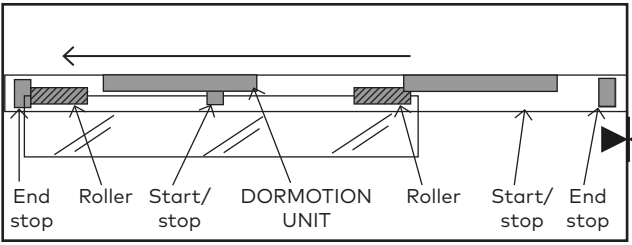
Track
L80 DORMOTION unit

2.15.1 Loosen hex screws on plates.

- Plates should start out parallel to track.

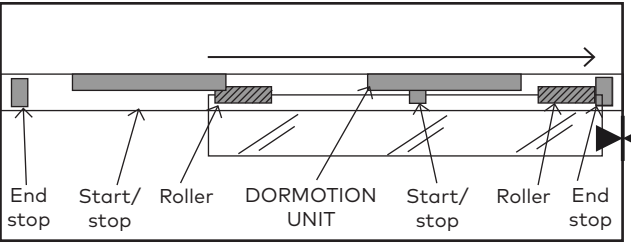
2.15.2 Place one L80 DORMOTION unit into each end of the track channel.

DOOR OPENED



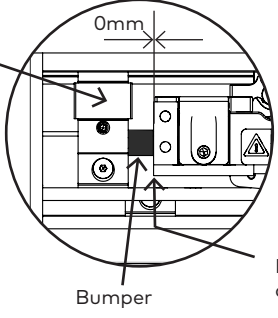
End stop
Roller
Start/stop
DORMOTION UNIT
Roller
Start/stop
End stop

DOOR CLOSED



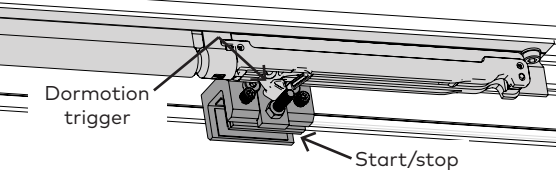
End stop
Start/stop
Roller
DORMOTION UNIT
Start/stop
Roller
End stop

2.15.3 Slide door all the way OPEN.

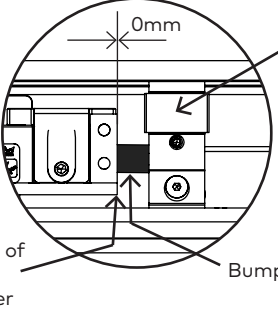


End stop
0mm
Bumper
Edge of roller carrier

2.15.4 Carrier should touch end stop.



Dormotion trigger
Start/stop

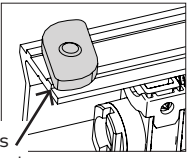


End stop
0mm
Bumper
Edge of roller carrier

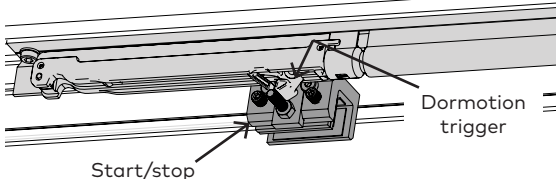
2.15.5 Slide Dormotion unit over until it aligns with start/stop pin.

2.15.6 Rotate plates inside track to engage.

2.15.7 Tighten hex screws with 3 ft lbs [3Nm] of torque.



Plates rotated



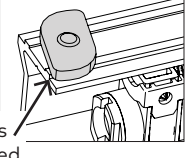
Start/stop
Dormotion trigger

2.15.4 Carrier should touch end stop.

2.15.5 Slide Dormotion unit over until it aligns with start/stop pin.

2.15.6 Rotate plates inside track to engage.

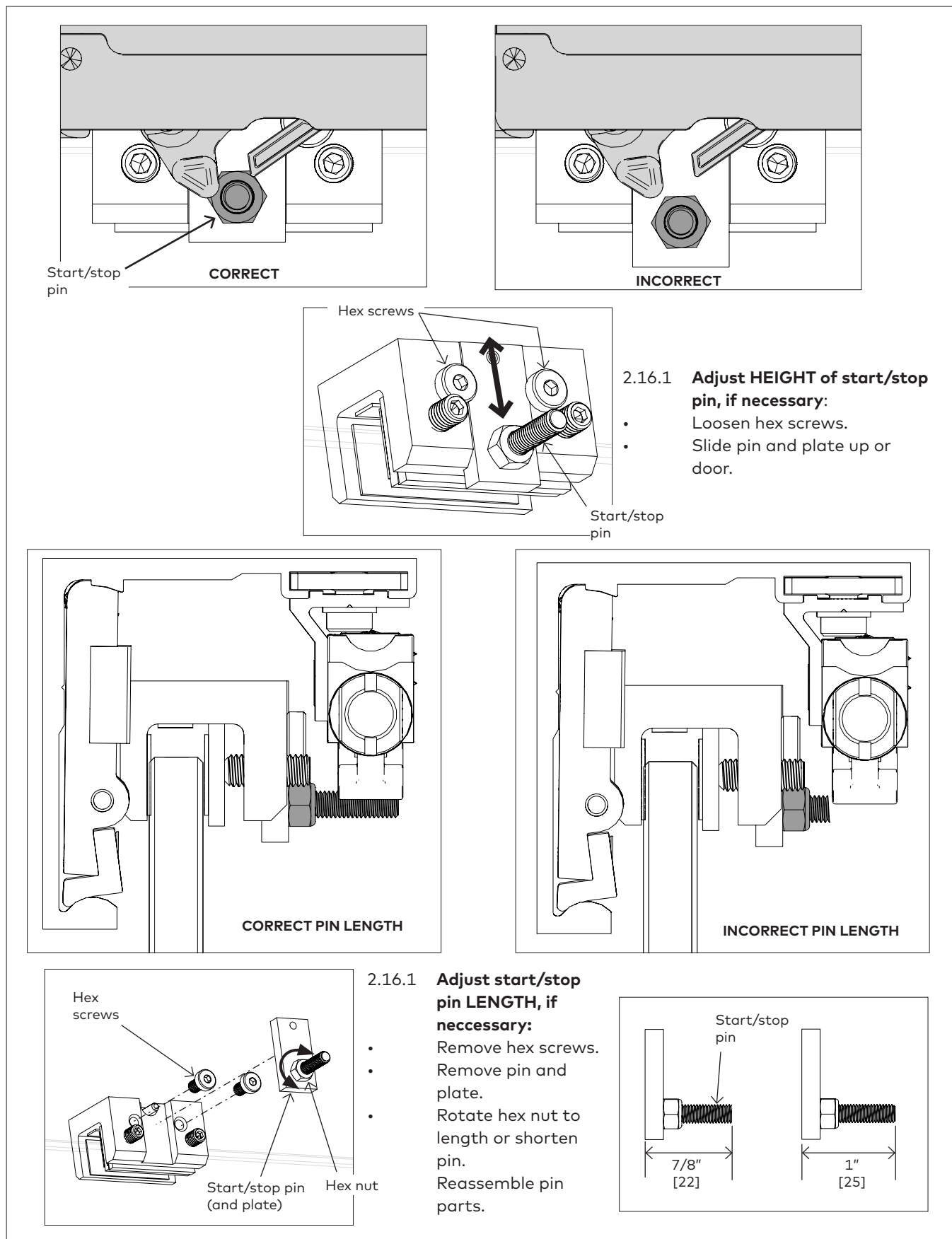
2.15.7 Tighten hex screws with 3 ft lbs [3Nm] of torque.



Plates rotated

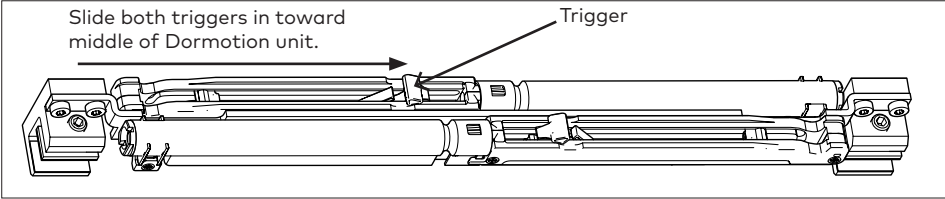
2.16 L80 (ONLY): Adjust start/stop pin location for L80 DM unit

Fig. 15




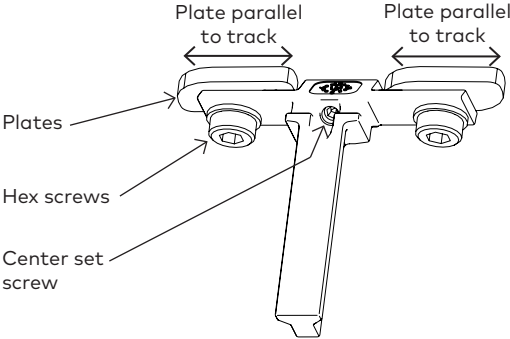
2.17 XL150/80 (ONLY): Install DORMOTION start/stops

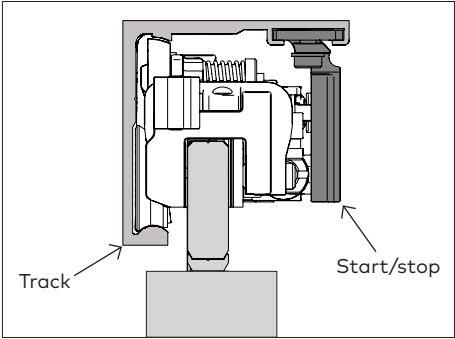
Fig. 16



Legend

 Closing edge of door



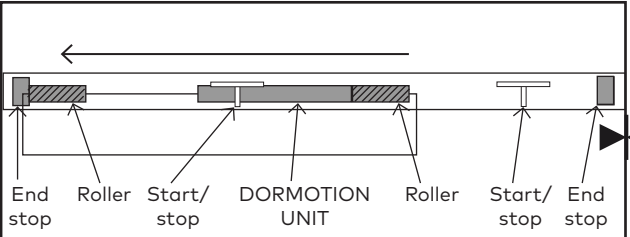


2.17.1 Loosen hex screws on plates.

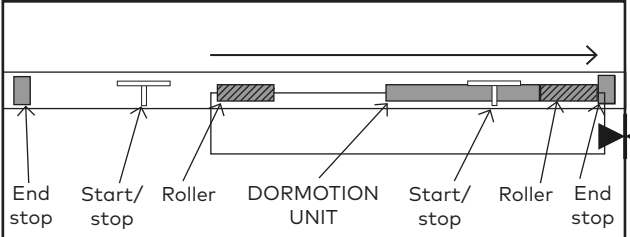
- Plates should start out parallel to track.

2.17.2 Place start/stops into track channel.

DOOR OPENED

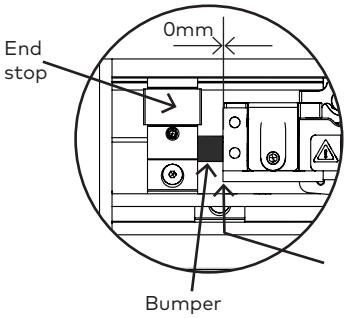


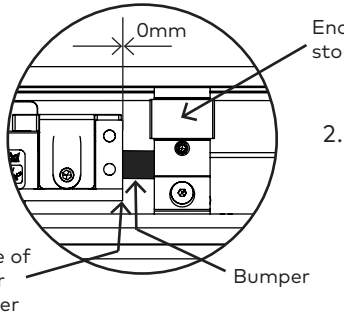
DOOR CLOSED



2.17.3 Slide door all the way OPEN.

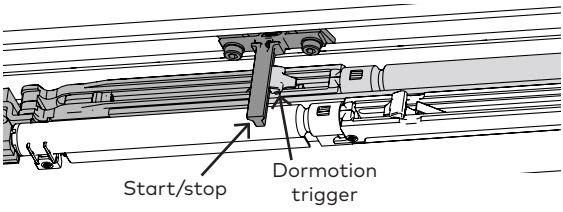
2.17.3 Slide door all the way CLOSED.

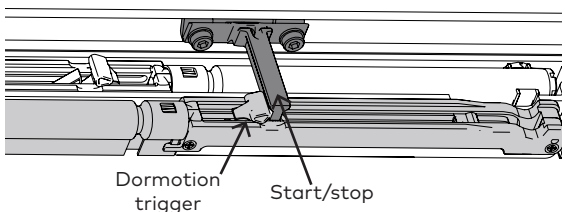




2.17.4 Carrier should touch end stop.

2.17.4 Carrier should touch end stop.



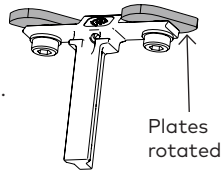


2.17.5 Slide start/stop into Dormotion unit trigger.

2.17.6 Rotate plates inside track to engage.

2.17.7 Hand tighten hex screws.

2.17.8 Adjust using center set screw, then fully tighten hex screws.



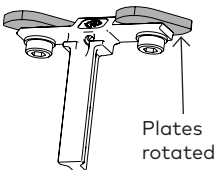
Plates rotated

2.17.5 Slide start/stop into Dormotion unit trigger.

2.17.6 Rotate plates inside track to engage.

2.17.7 Hand tighten hex screws.

2.17.8 Adjust using center set screw, then fully tighten hex screws.



Plates rotated

16

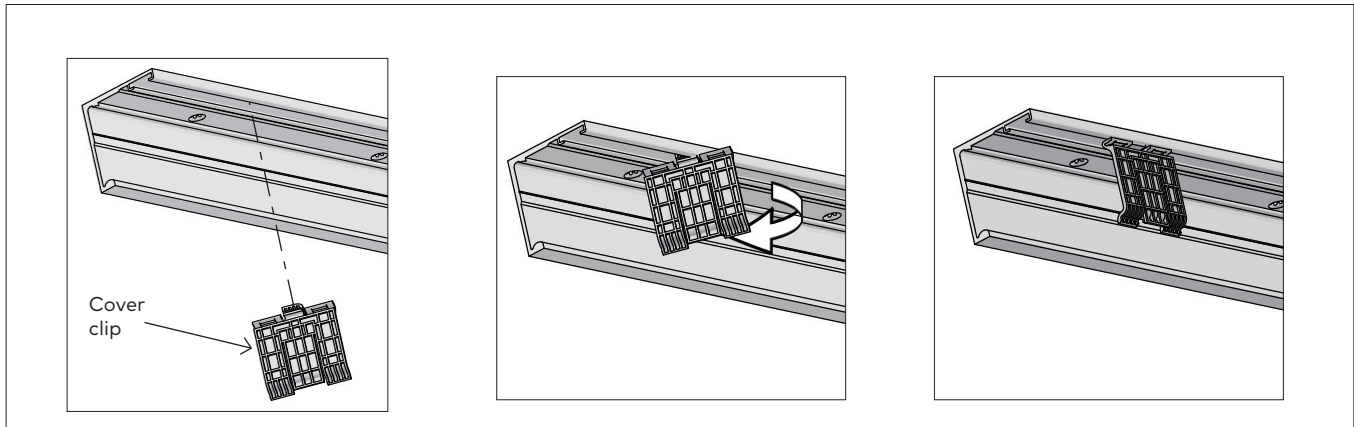
MUTO Premium and Comfort

936006

05-2018

2.18 Cover clips

Fig. 17

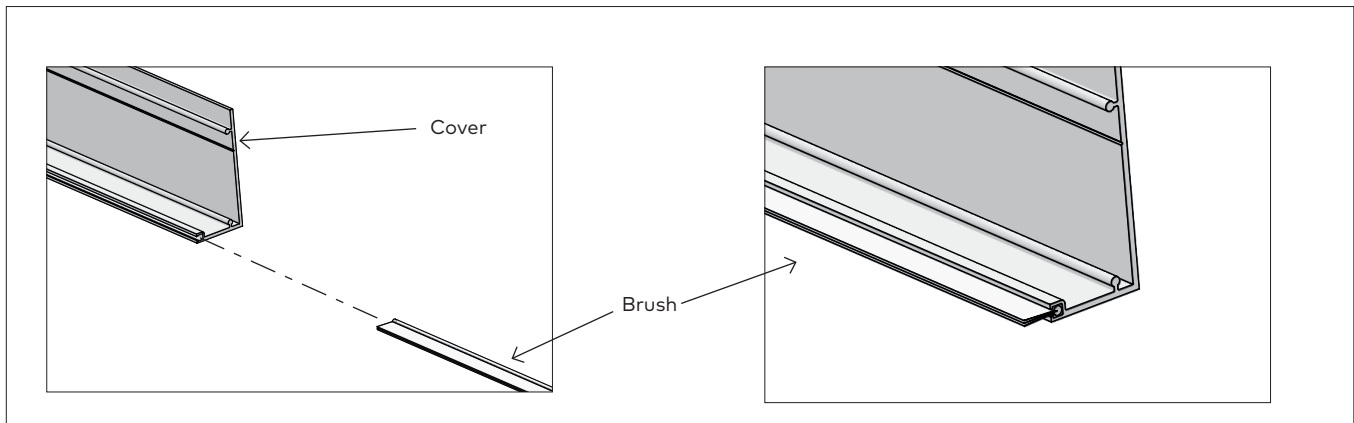


2.18.1 Insert cover clips into track. (One clip per foot)

2.18.2 Insert perpendicular to track, and turn **COUNTER-CLOCKWISE** to snap into place.

2.19 Install brush profile

Fig. 18

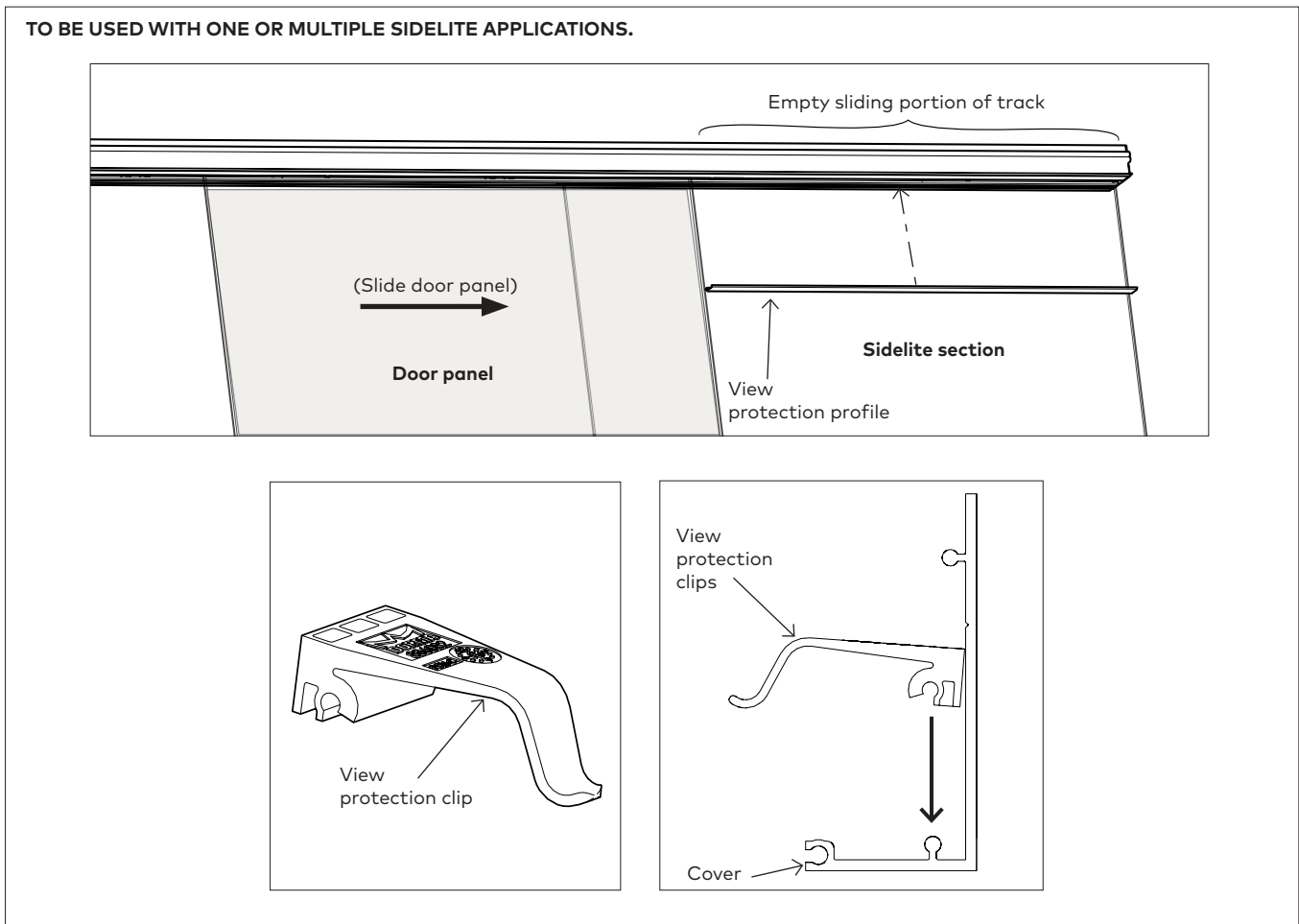


2.19.1 Measure and cut brush to appropriate length.

2.19.2 Slide brush into cover.

2.20 Install view protection clips

Fig. 19



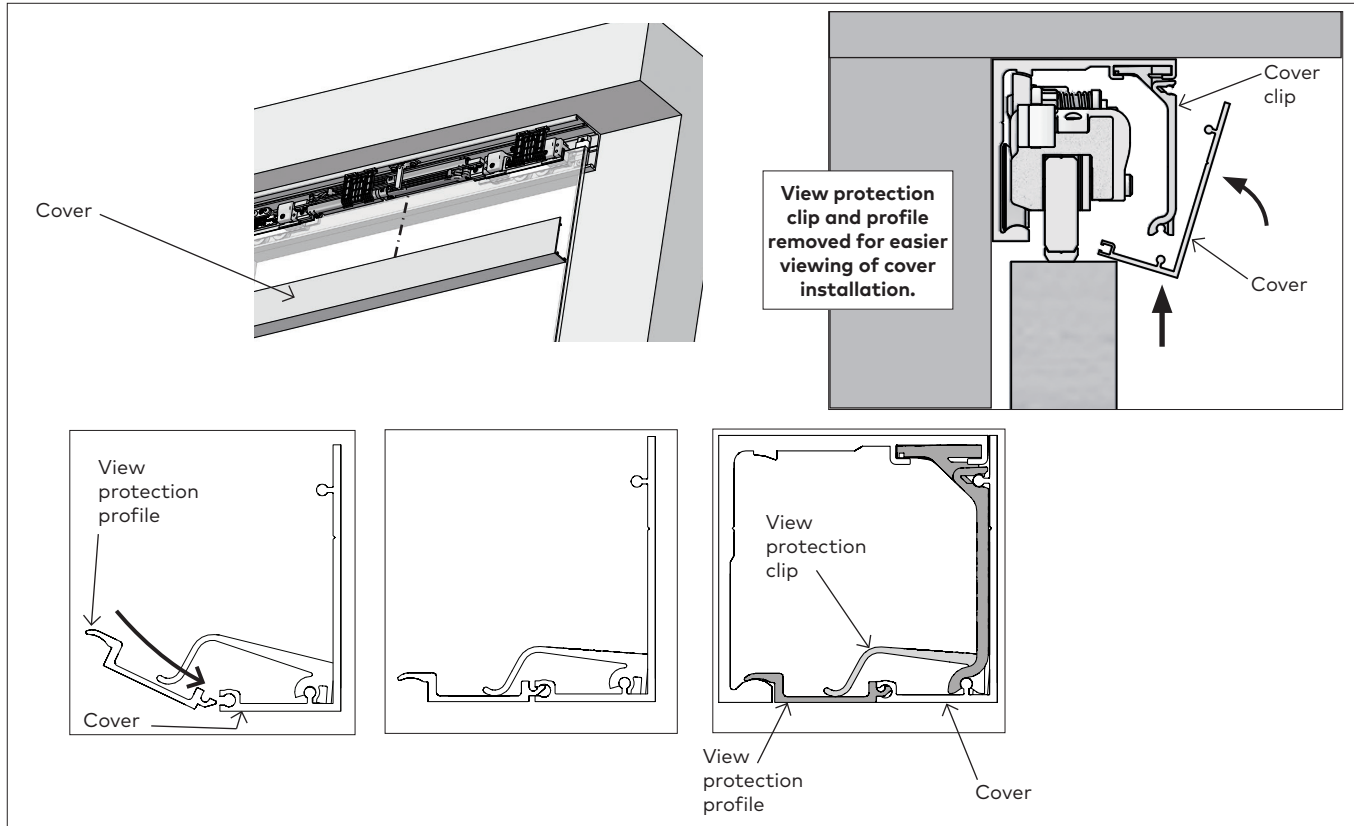
- 2.20.1 Slide door open until it meets the end stop.
- 2.20.2 Measure and cut view protection profile to fit into empty sliding portion of track - 3/16" [5].
- 2.20.3 Snap view protection clips onto inside of cover as shown.

- 2.20.4 Use minimum 1 clip per foot of profile.

Exception: If profile is minimum of 1 foot in length, use 2 clips.

2.21 Install cover and view protection profile

Fig. 20

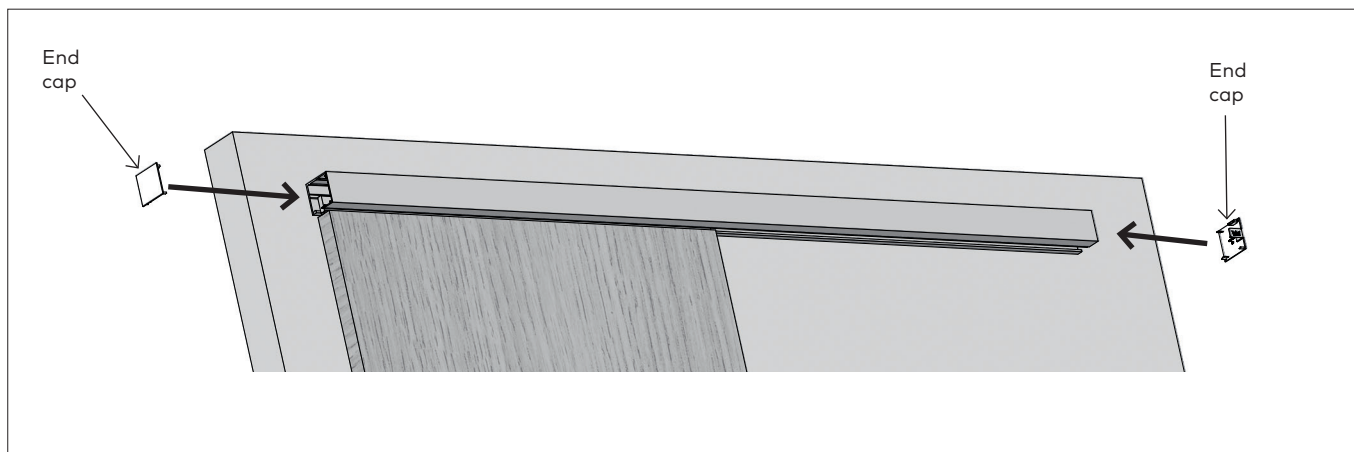


2.21.1 Secure cover to clips and snap into place.
NOTE: Roll cover from the bottom upwards. Ensure the bottom of the cover is supported by the groove in the cover clip.

2.21.2 Tip view protection profile up into track and snap down into cover and onto track as shown.

2.22 Install end caps

Fig. 21



2.22.1 Snap end caps onto track.

